



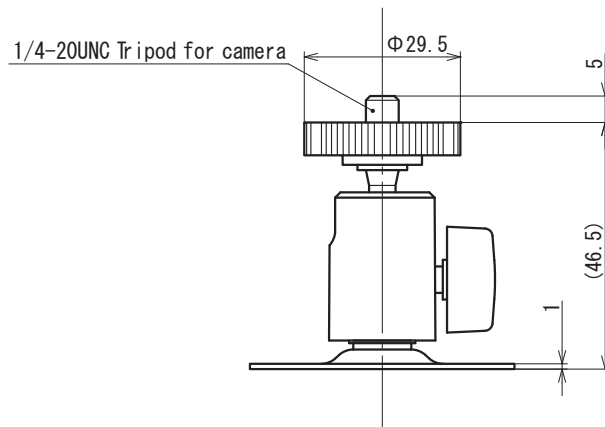
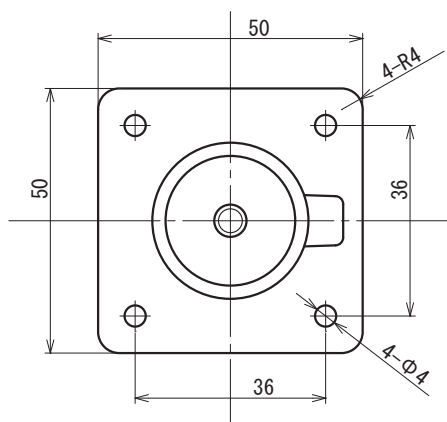
Stand

SPECIFICATIONS

Model	MS50
Materials	Steel SPCC and Aluminium
Camera screw	1/4-20UNC Tripod thread
Weight	Approx. 70g

※Design and specifications are subject to change without notice.

DIMENSIONS (mm)



MOVABLE RANGE

